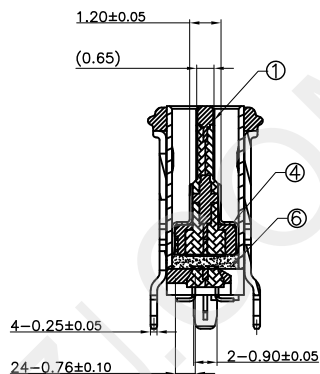
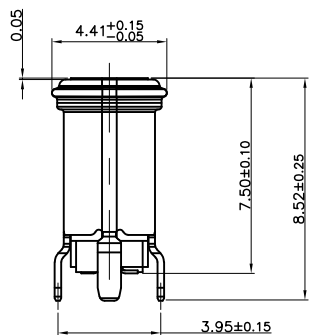
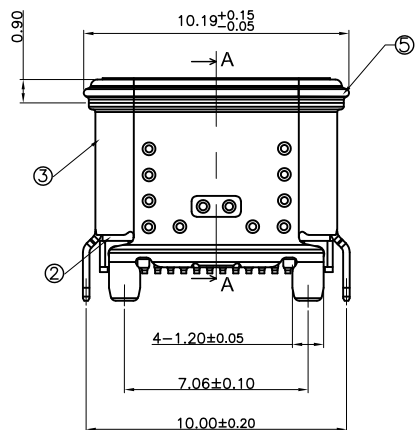
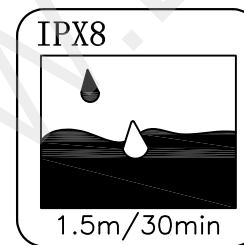


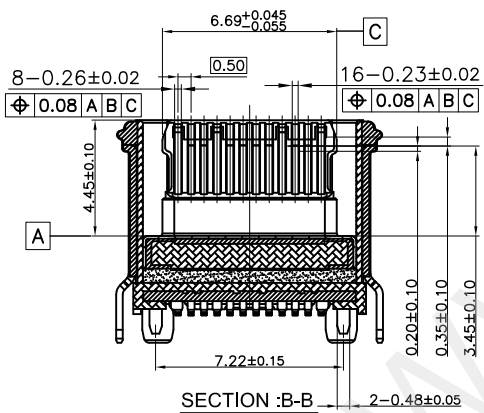
3D VIEW



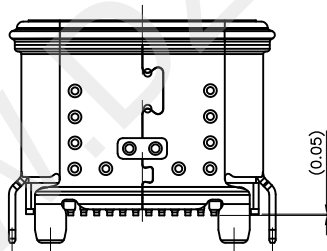
SECTION :A-A

SPECIFICATION:

1. Material & Finish: See the list
2. Mechanical:
  - 2.1. Mating force: 5-20N
  - 2.2. Unmating force: Initial: 8-20N; Final: 6-20N
  - 2.3. Durability: 10000 Cycles
3. Electrical:
  - 3.1. Current Rating: 5A.
  - 3.2. Voltage Rating: 30V Max.;
  - 3.3. Dielectric Withstanding volage: 100Vac, 60S, 10mA
  - 3.4. Contact resistance: 40m Ohms Max.;
  - 3.5. Insulation Resistance: 100M Ohms Min.
4. Environmental:
  - 4.1. Operating temperature: -40°C~+85°C;
  - 4.2. Salt Spray Test: 48H Min. (No oxidation or rust)
  - 4.3. Wetting Temperature: 265±5°C, 5±0.5s
  - 4.5. Waterproof Level: IPX8



SECTION :B-B

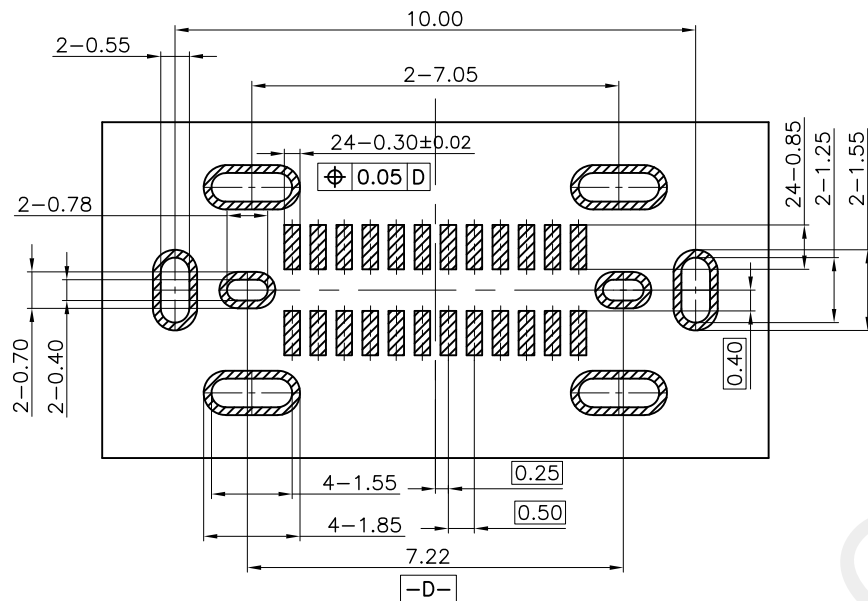


NO.	NAME	MATERIAL	REMARKS	QTY
6	GLUE	EPOXY RESIN	COLOR: BLACK	g
5	LIM_RING	SILICA GEL	NA	1 PCS
4	EMC	SUS 316L, T=0.12mm	CLEAN	1 PCS
3	OUT SHELL	SUS 304-H, T=0.25mm	50u" NICKEL PLATED	1 PCS
2	INNER SHELL	SUS 316L, T=0.20mm	NO PLATING	1 PCS
1	INSERT MD	MID PLATE, SUS 301-H, T=0.15mm	NO PLATING	SET
		CONTACT: C18400, T=0.12mm	AU/NICKEL PLATED	
		PLASTIC: PA46	COLOR: BLACK, UL94V_0	

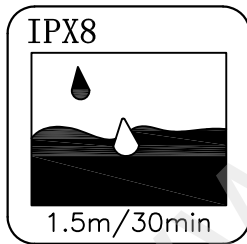


深圳市华宇创精密电子有限公司

TOLERANCE: X.X ±0.30 X.XX ±0.25 X.XXX ±0.15 X: ±2° X.X° ±0.5°	DRAWN BY : 陈一鸣	DATE : 2014-02-23	PART NAME: USB TYPE C 防水母座24P 立贴H=7.5
	CHECKED BY : 马跃	DATE : 2014-02-23	PART NO. : HVC650-USBC24-750
UNIT: mm [inch] SCALE: 1:1 SIZE: A4	APPROVED BY : 邱敏	DATE : 2014-02-23	DRAW NO. : HVC-2503201253
			SHEET NO. : 1 OF 1




RECOMMENDED PCB LAYOUT (SCALE 2:1)  
TOLERANCE UNSPECIFIED  $\pm 0.05\text{mm}$

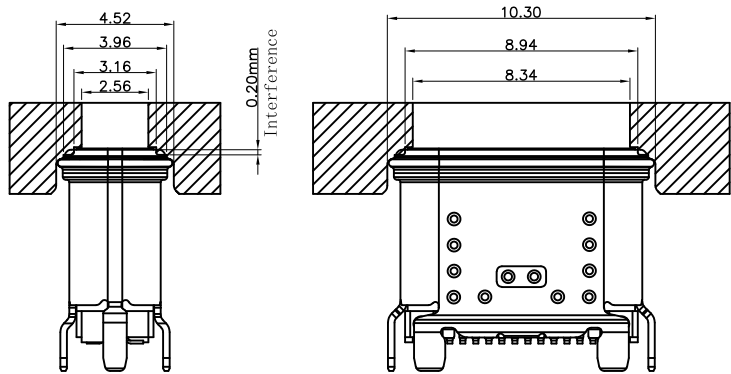


USB TYPE-C FULL-FEATURED RECEPTACLE  
INTERFACE PIN ASSIGNMENTS

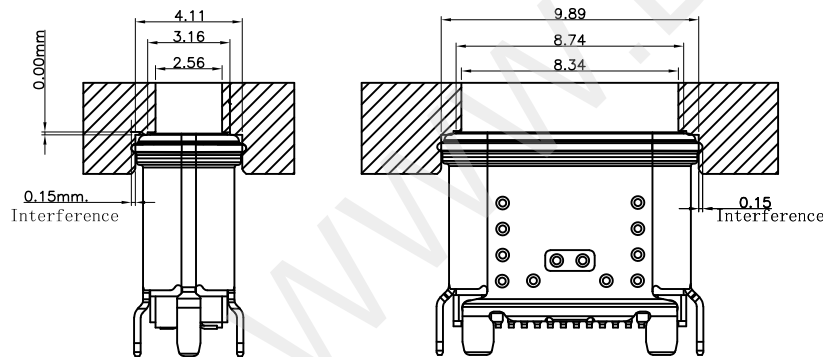
PIN	Signal Name	Description	PIN	Signal Name	Description
A1	GND	Ground return	B12	GND	Ground return
A2	SSTXp1	Positive half of first SuperSpeed TX differential pair	B11	SSRXp1	Positive half of first SuperSpeed RX differential pair
A3	SSTXn1	Negative half of first SuperSpeed TX differential pair	B10	SSRXn1	Negative half of first SuperSpeed RX differential pair
A4	Vbus	Bus Power	B9	Vbus	Bus Power
A5	CC1	Configuration Channel	B8	SBU2	Sideband Use (SBU)
A6	Dp1	Positive half of the USB 2.0 differential pair-Position 1	B7	Dn2	Negative half of the USB 2.0 differential pair-Position 2
A7	Dn1	Negative half of the USB 2.0 differential pair-Position 1	B6	Dp2	Positive half of the USB 2.0 differential pair-Position 2
A8	SBU1	Sideband Use (SBU)	B5	CC2	Configuration Channel
A9	Vbus	Bus Power	B4	Vbus	Bus Power
A10	SSRXn2	Negative half of second SuperSpeed RX differential pair	B3	SSTXn2	Negative half of second SuperSpeed TX differential pair
A11	SSRXp2	Positive half of second SuperSpeed RX differential pair	B2	SSTXp2	Positive half of second SuperSpeed TX differential pair
A12	GND	Ground return	B1	GND	Ground return

 深圳市华宇创精密电子有限公司

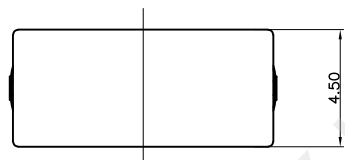
<b>TOLERANCE:</b> X.X $\pm 0.30$ X.XX $\pm 0.25$ X.XXX $\pm 0.15$ X: $\pm 2'$ X.X' $\pm 0.5'$	<b>DRAWN BY :</b> 陈一鸣	<b>DATE :</b> 2014-02-23	<b>PART NAME:</b> USB TYPE C 防水母座24P 立贴H=7.5
	<b>CHECKED BY:</b> 马跃	<b>DATE :</b> 2014-02-23	<b>PART NO.</b> HYC650-USBC24-750
<b>UNIT:</b> mm [inch]	<b>APPROVED BY:</b> 邱敏	<b>DATE :</b> 2014-02-23	<b>DRAW NO:</b> HYC-2503201253
<b>SCALE:</b> 1:1 <b>SIZE:</b> A4			<b>SHEET NO.</b> 1 OF 1



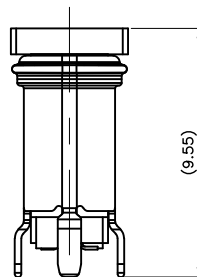
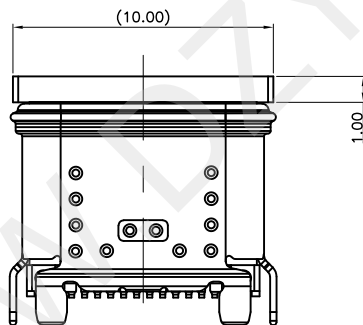
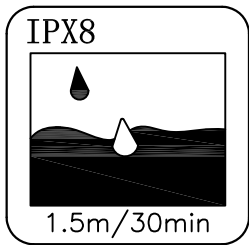
RECOMMENDED CAVITY "1" SIZE






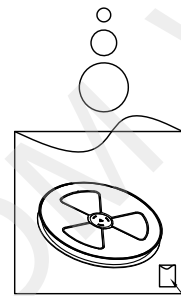
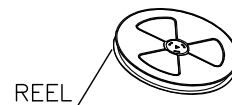
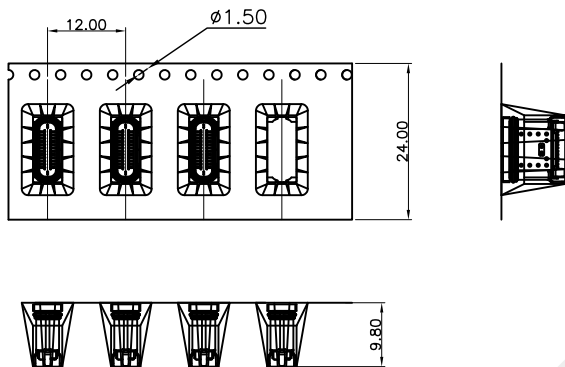
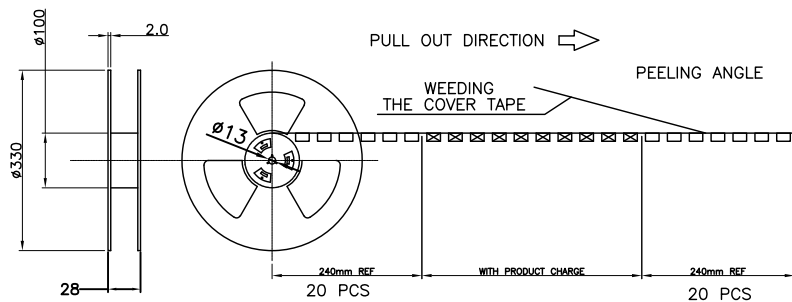
RECOMMENDED CAVITY "2" SIZE



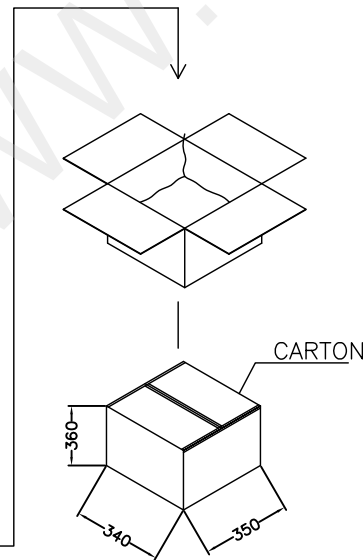
WITH PICK CAP



 <b>深圳市华宇创精密电子有限公司</b>			
<b>TOLERANCE:</b> X.X ±0.30 X.XX ±0.25 X.XXX ±0.15 X' ±2'    X.X' ±0.5'	<b>DRAWN BY :</b> 陈一鸣	<b>DATE :</b> 2014-02-23	<b>PART NAME:</b> USB TYPE C 防水母座24P 立贴H=7.5
	<b>CHECKED BY:</b> 马跃	<b>DATE :</b> 2014-02-23	<b>PART NO.</b> HYC650-USBC24-750
  <b>UNIT: mm [inch]</b> <b>SCALE:1:1    SIZE: A4</b>	<b>APPROVED BY:</b> 邱敏	<b>DATE :</b> 2014-02-23	<b>MOLD NO.</b>
			<b>DRAW NO:</b> HYC-2503201253
			<b>SHEET NO.</b> 1 OF 1



Vacuum Packing - Desiccant



	REEL	CARTON
CONNECTOR (PCS)	520	5200

备注:

1. 包装数量: 520PCS/REEL, 10 REEL/CARTON, 共5200PCS.
2. 材料: 纸箱: 纤维板, 瓦楞, 双层壁.
3. 载带剥离强度: 0.1 ~ 1.3 N(10 ~ 130克)
4. 脱皮速度: 300mm /min.
5. 外箱上贴号物料标签及RoHS标签
6. 同一产品只能装同一纸箱, 不允其它产品;
7. 每个袋子都应包括干燥剂\*1



深圳市华宇创精密电子有限公司

TOLERANCE: X.X ±0.30 X.XX ±0.25 X.XXX ±0.15 X' ±2' X.X' ±0.5'	DRAWN BY : 陈一鸣	DATE : 2014-02-23	PART NAME: 包装图	
	CHECKED BY: 马跃	DATE : 2014-02-23	PART NO.	
UNIT: mm [inch] SCALE:1:1 SIZE: A4	APPROVED BY: 邱敏	DATE : 2014-02-23	MOLD NO.	
			DRAW NO:	
			SHEET NO.	1 OF 1